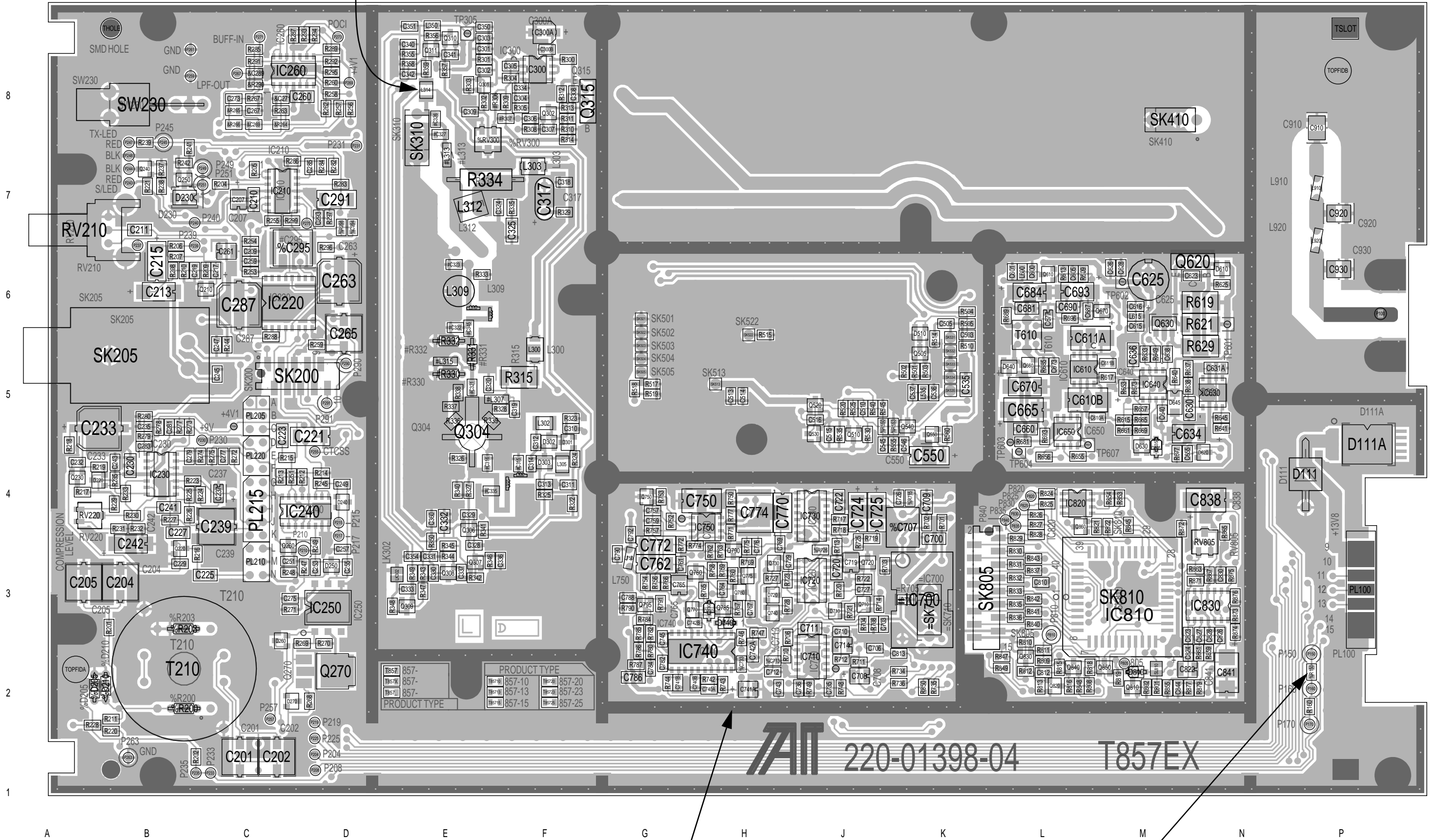


L314 is fitted only when cyclic keying is required.

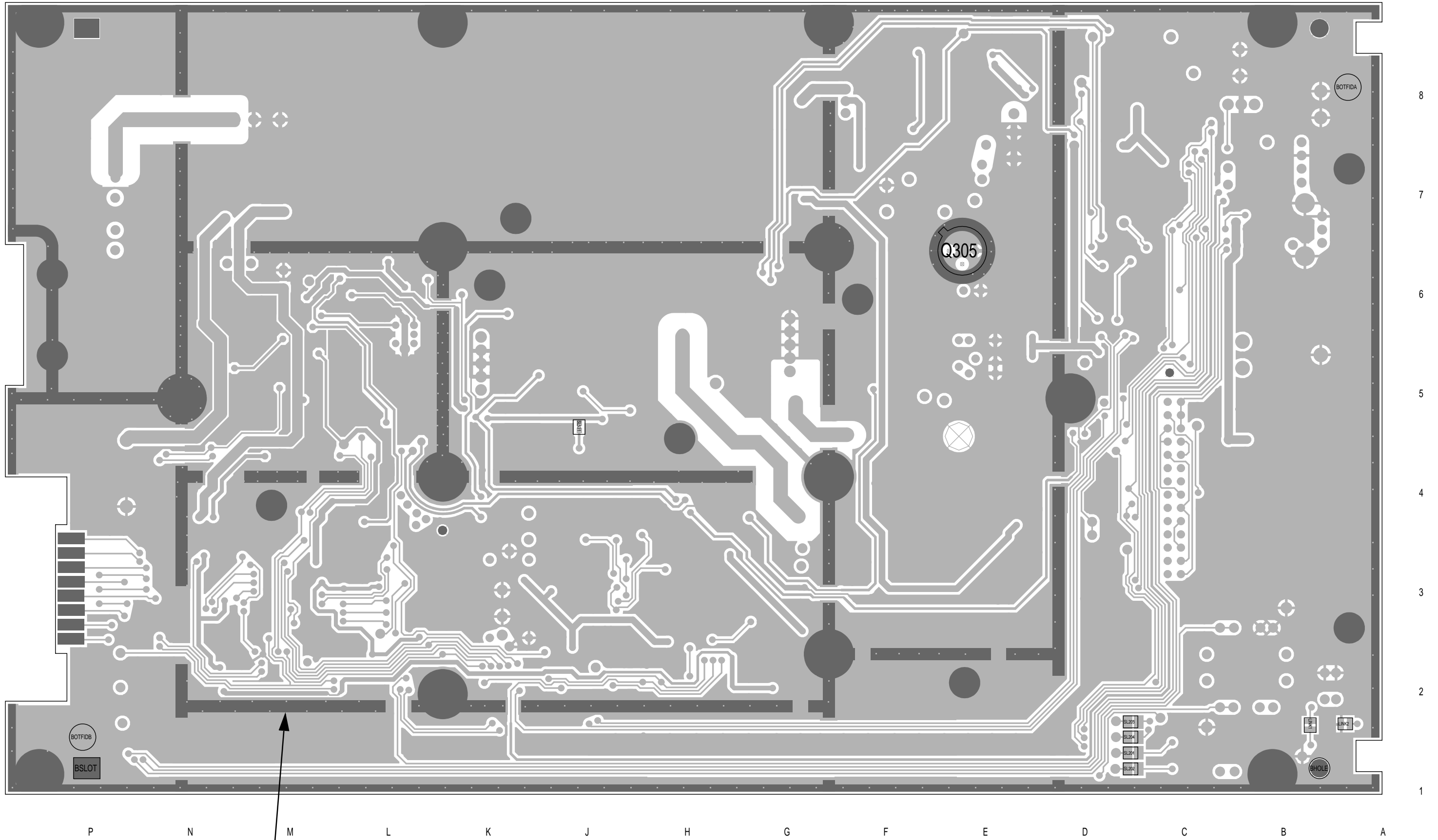


The darker shading shows the outline of the chassis.

%R150 (10Ω) is fitted only when the T857 is used in a Series I rack frame (refer to Part I for full details).

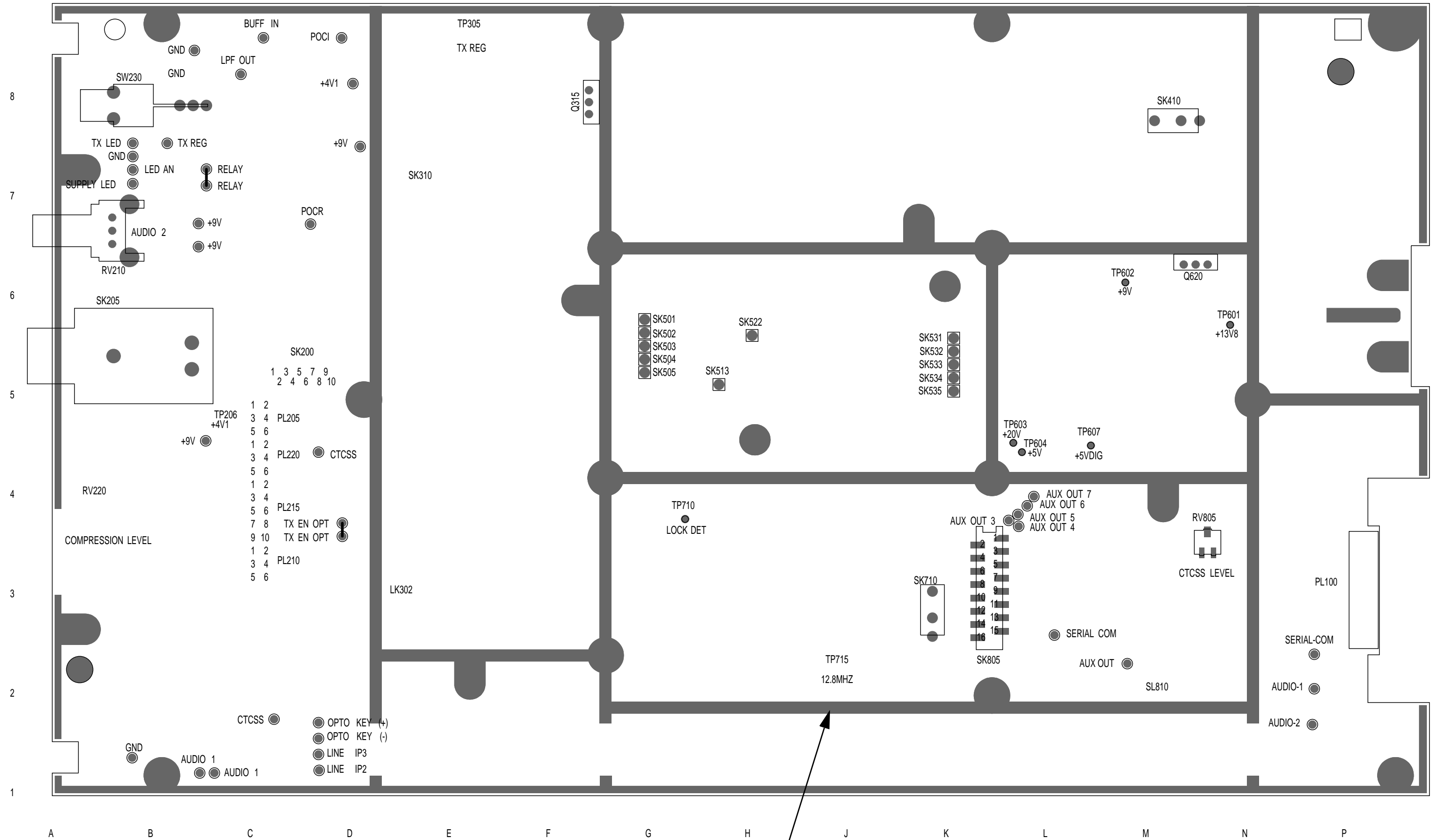
AT 220-01398-04 T857EX

T857 PCB Layout - Top Side 220-01398-04

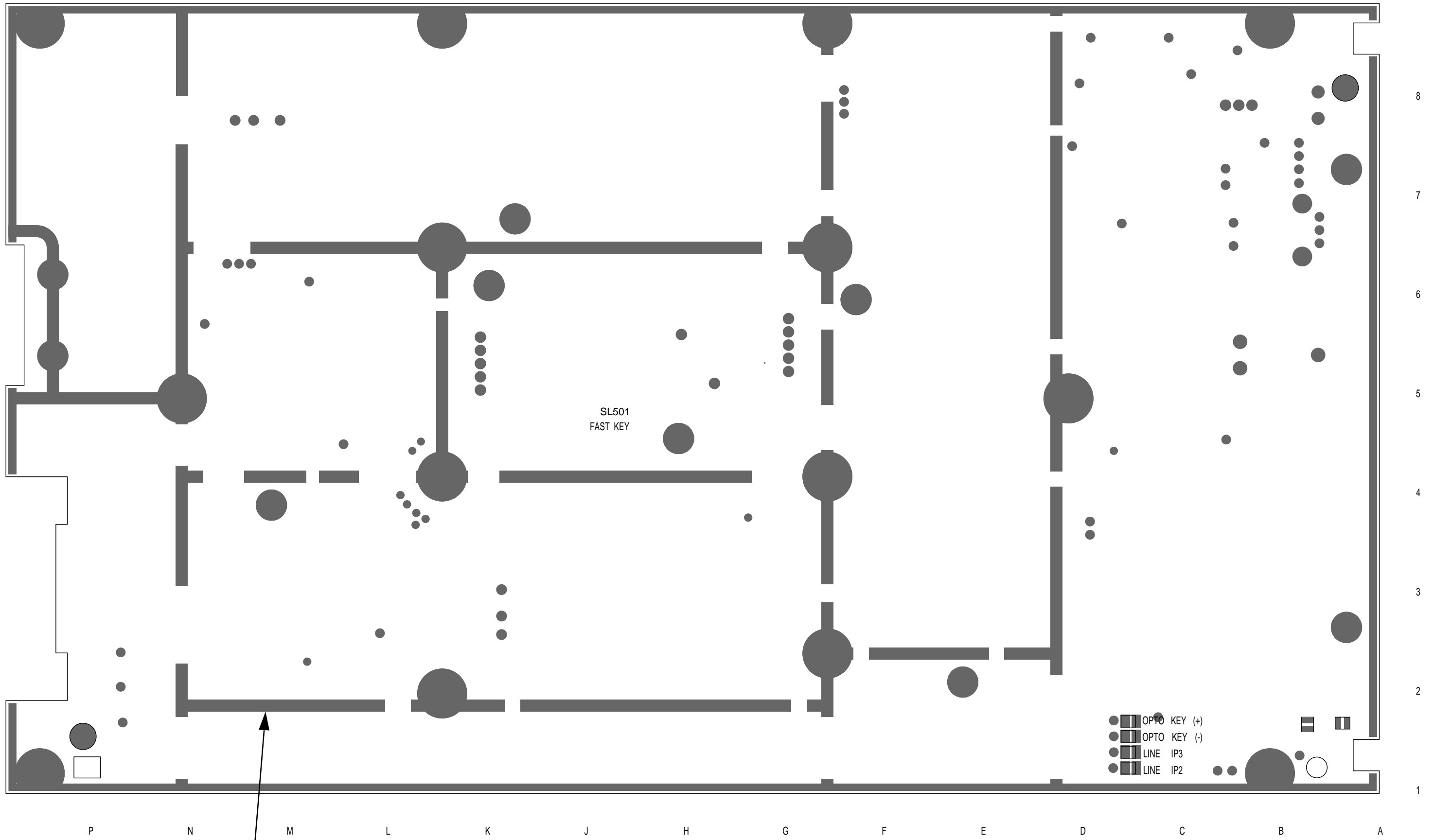


The darker shading shows the footprint of the bottom cover.

T857 PCB Layout - Bottom Side  
220-01398-04

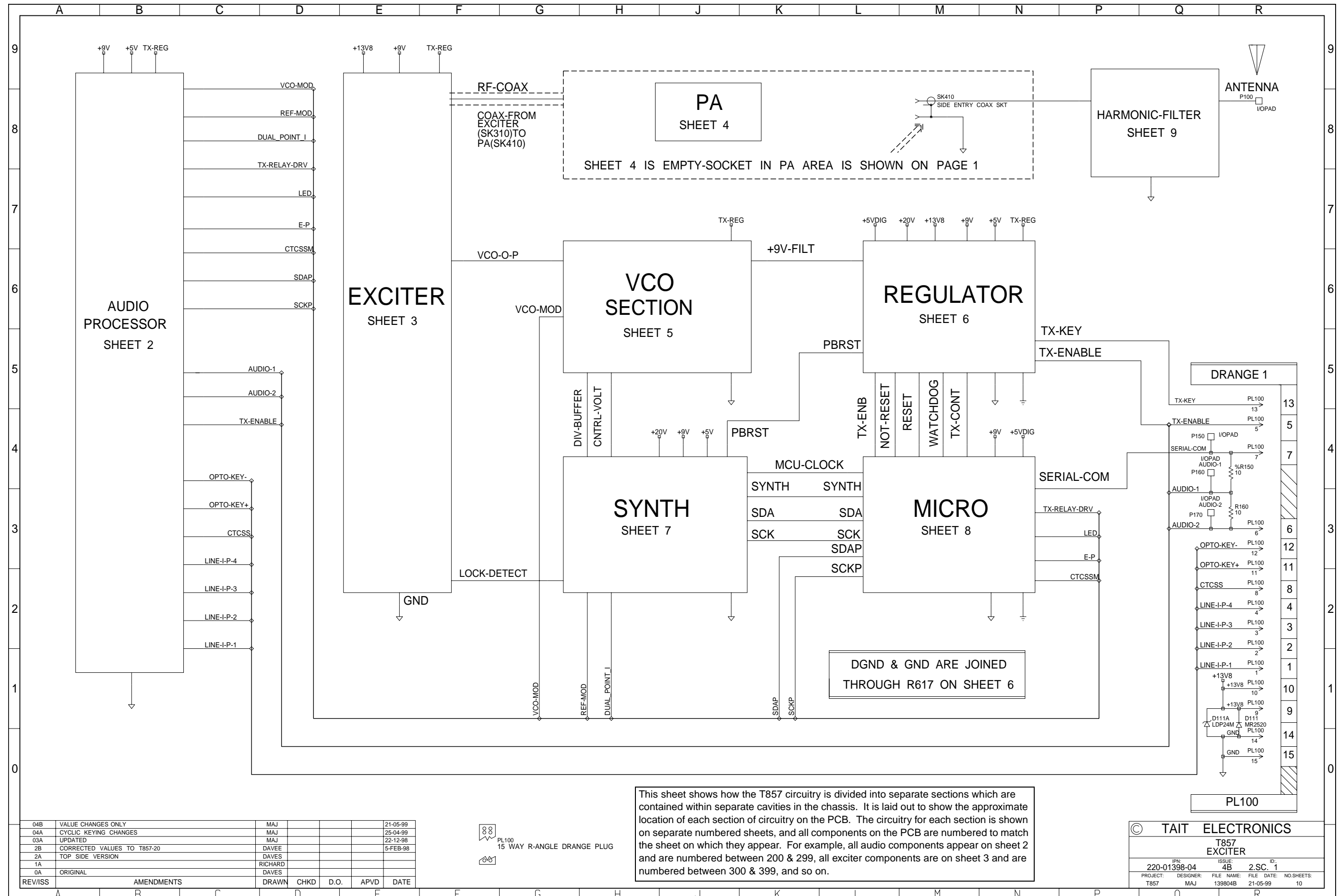


The darker shading shows the outline of the chassis.



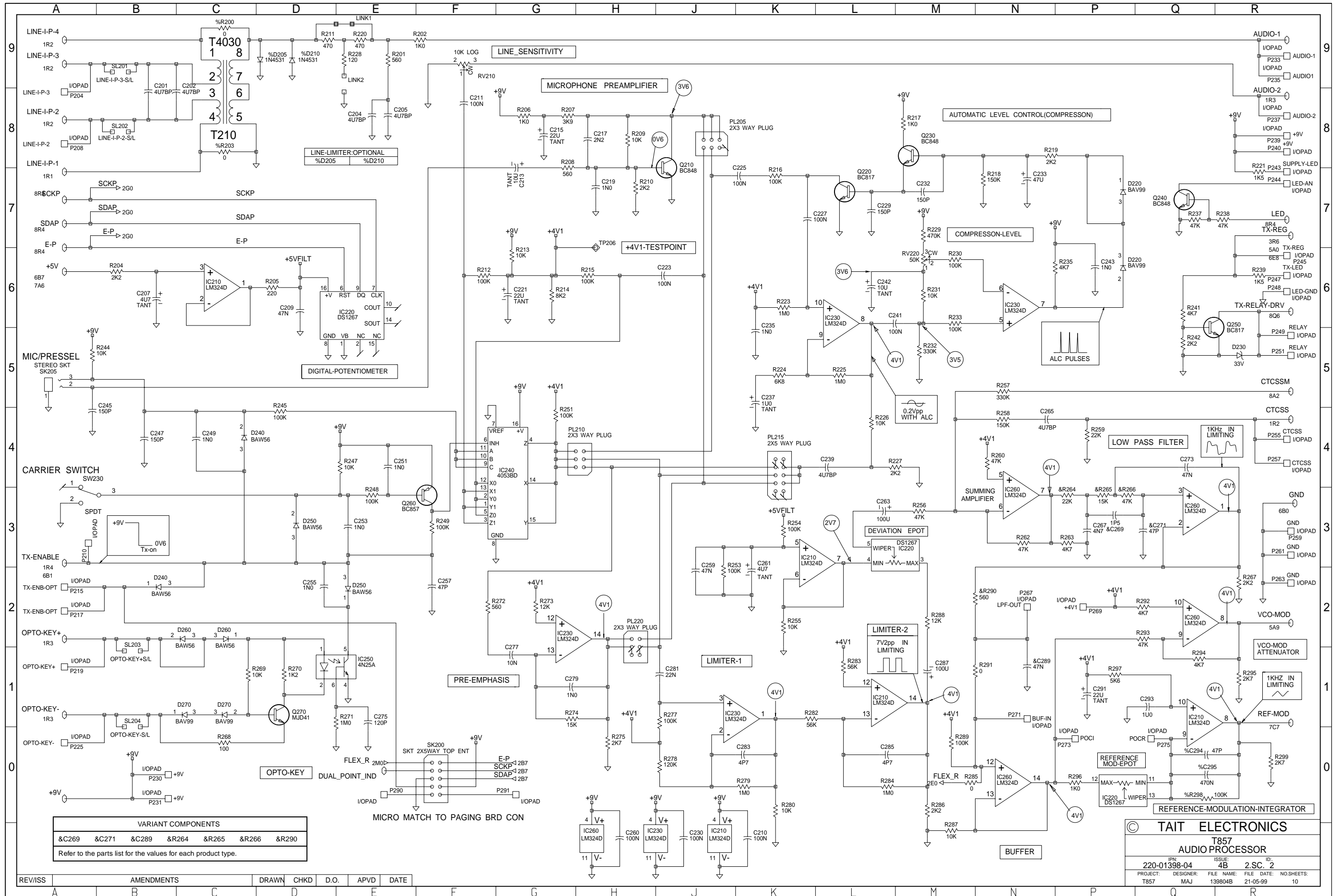
The darker shading shows the footprint of the bottom cover.

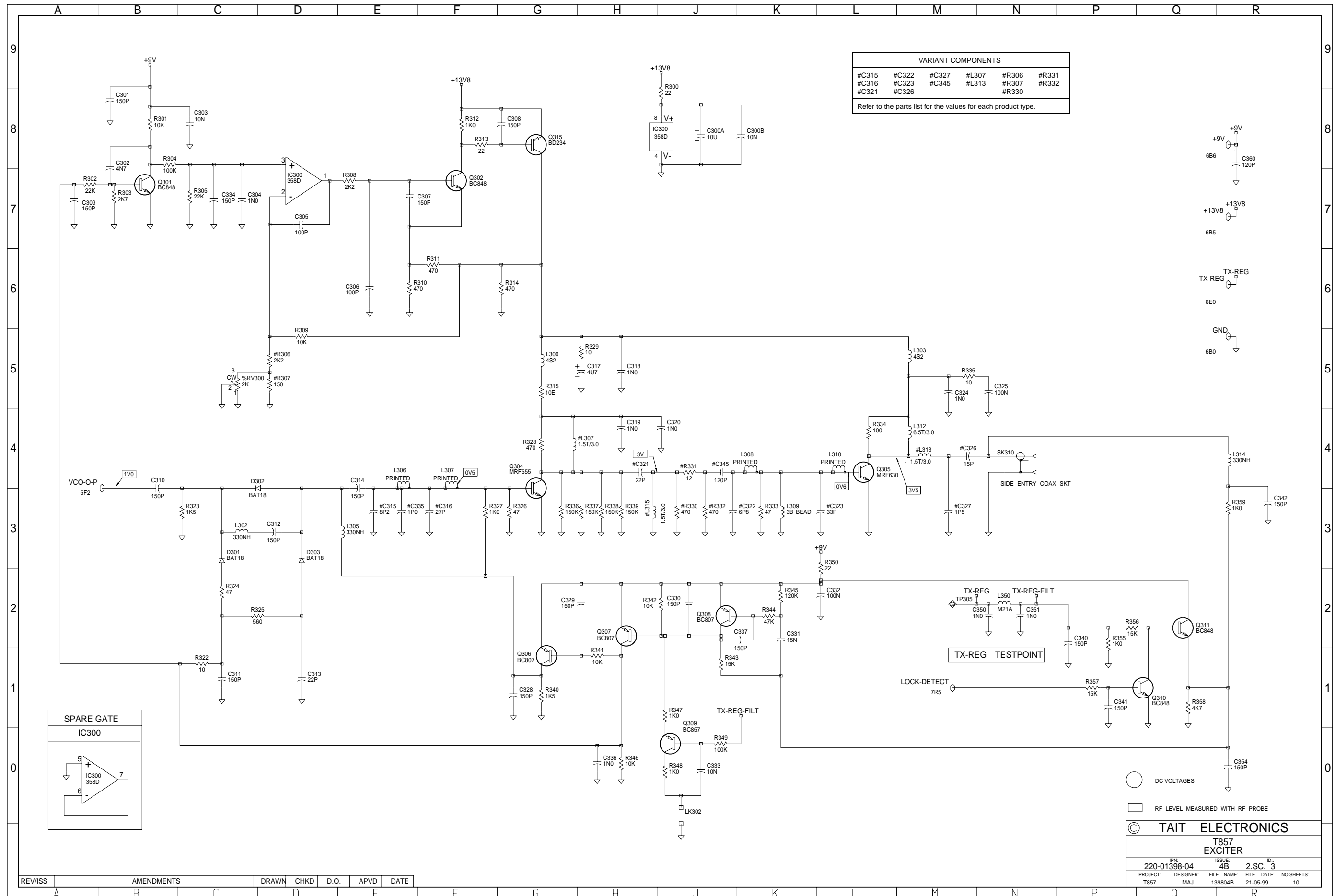
**T857 Test Points & Options Connections - Bottom Side**  
**220-01398-04**



This sheet shows how the T857 circuitry is divided into separate sections which are contained within separate cavities in the chassis. It is laid out to show the approximate location of each section of circuitry on the PCB. The circuitry for each section is shown on separate numbered sheets, and all components on the PCB are numbered to match the sheet on which they appear. For example, all audio components appear on sheet 2 and are numbered between 200 & 299, all exciter components are on sheet 3 and are numbered between 300 & 399, and so on.

© TAIT ELECTRONICS	
T857 EXCITER	
IPN: 220-01398-04	ISSUE: 4B 2.S.C. 1
PROJECT: T857	DESIGNER: MAJ
FILE: 139804B	DATE: 21-05-99
NO. SHEETS: 10	

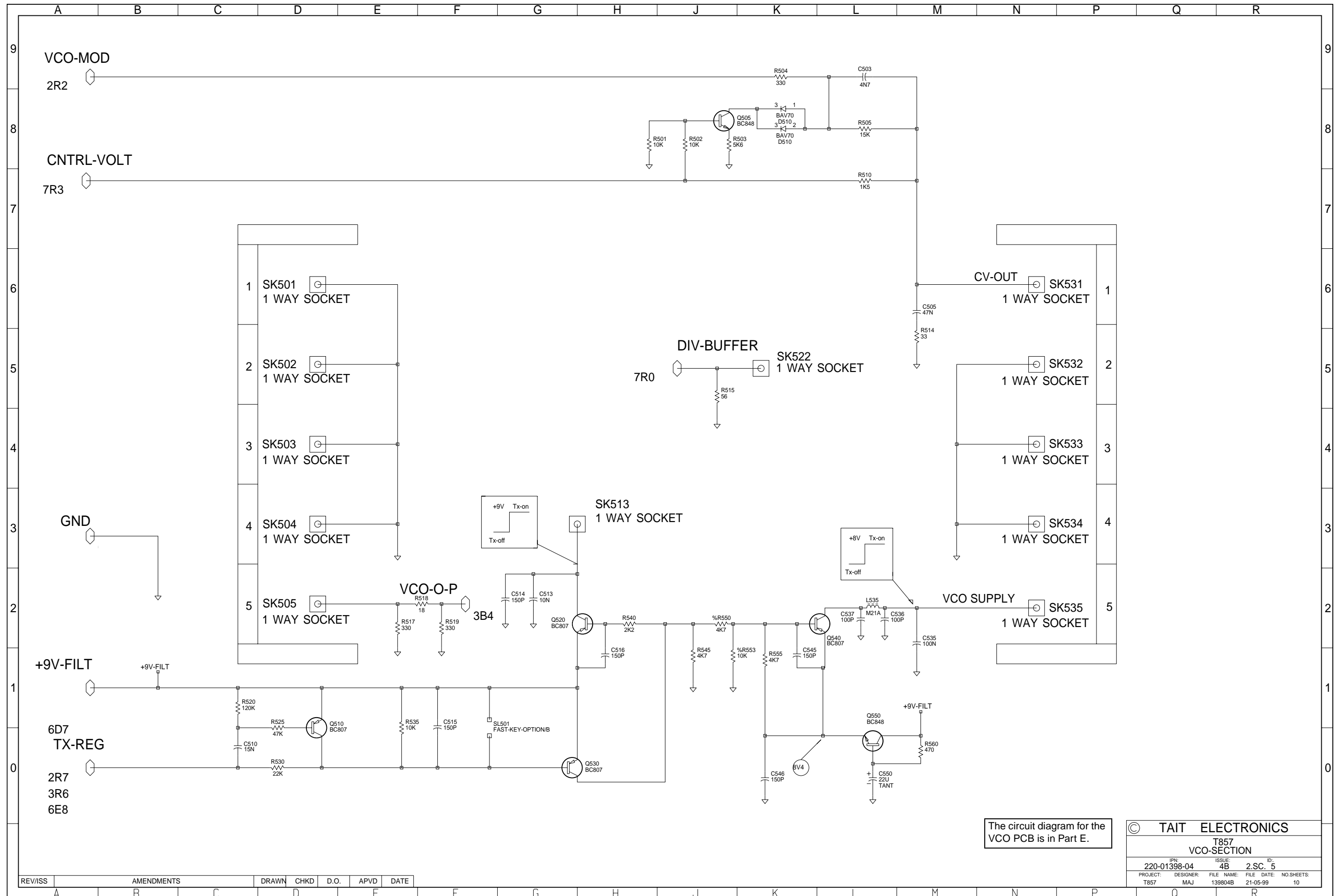




SK410 is the only component in this section  
of the T857 circuitry and is shown on sheet 1.

**Sheet 4 - Not Used In The T857**  
**220-01398-04**

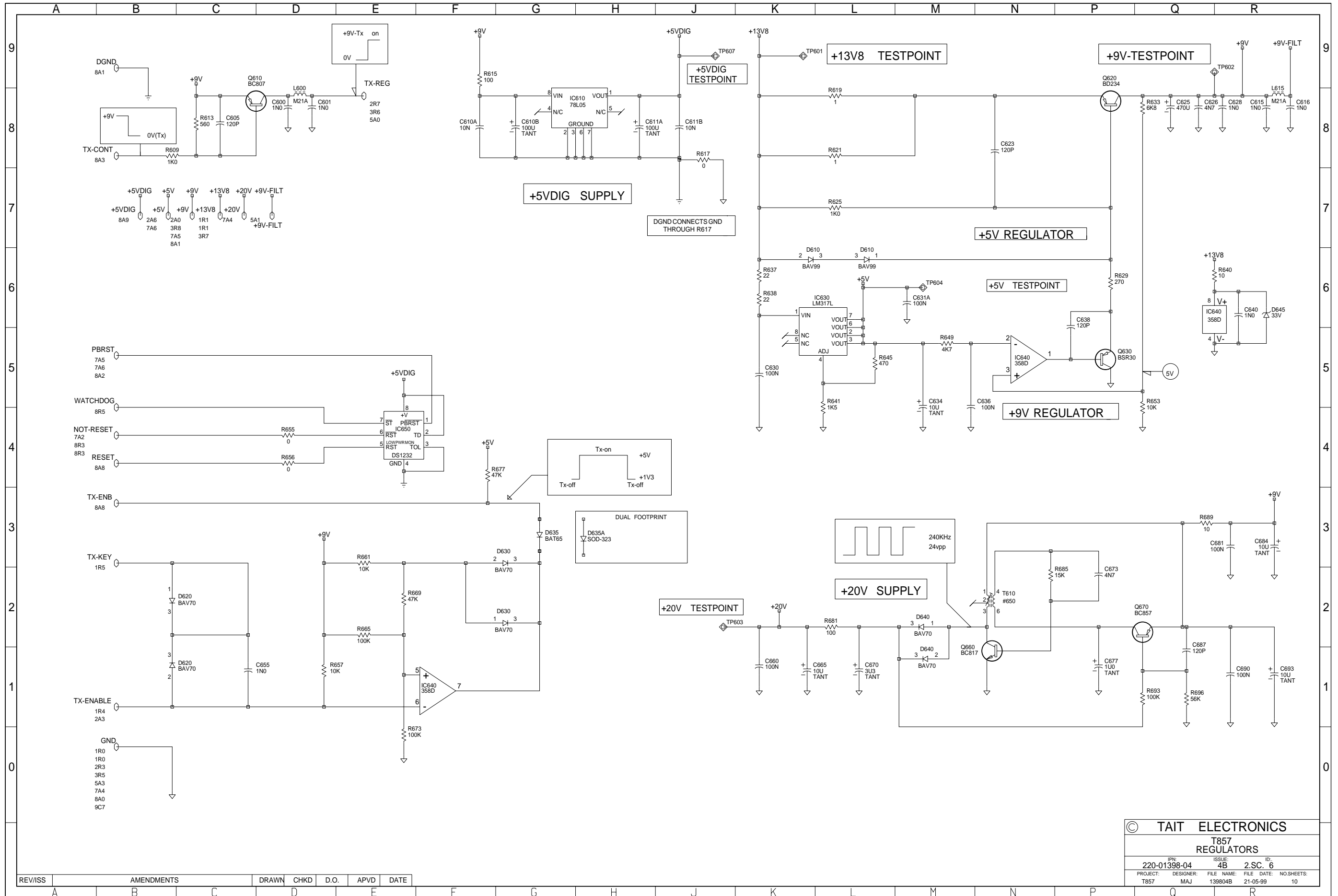




The circuit diagram for the VCO PCB is in Part E.

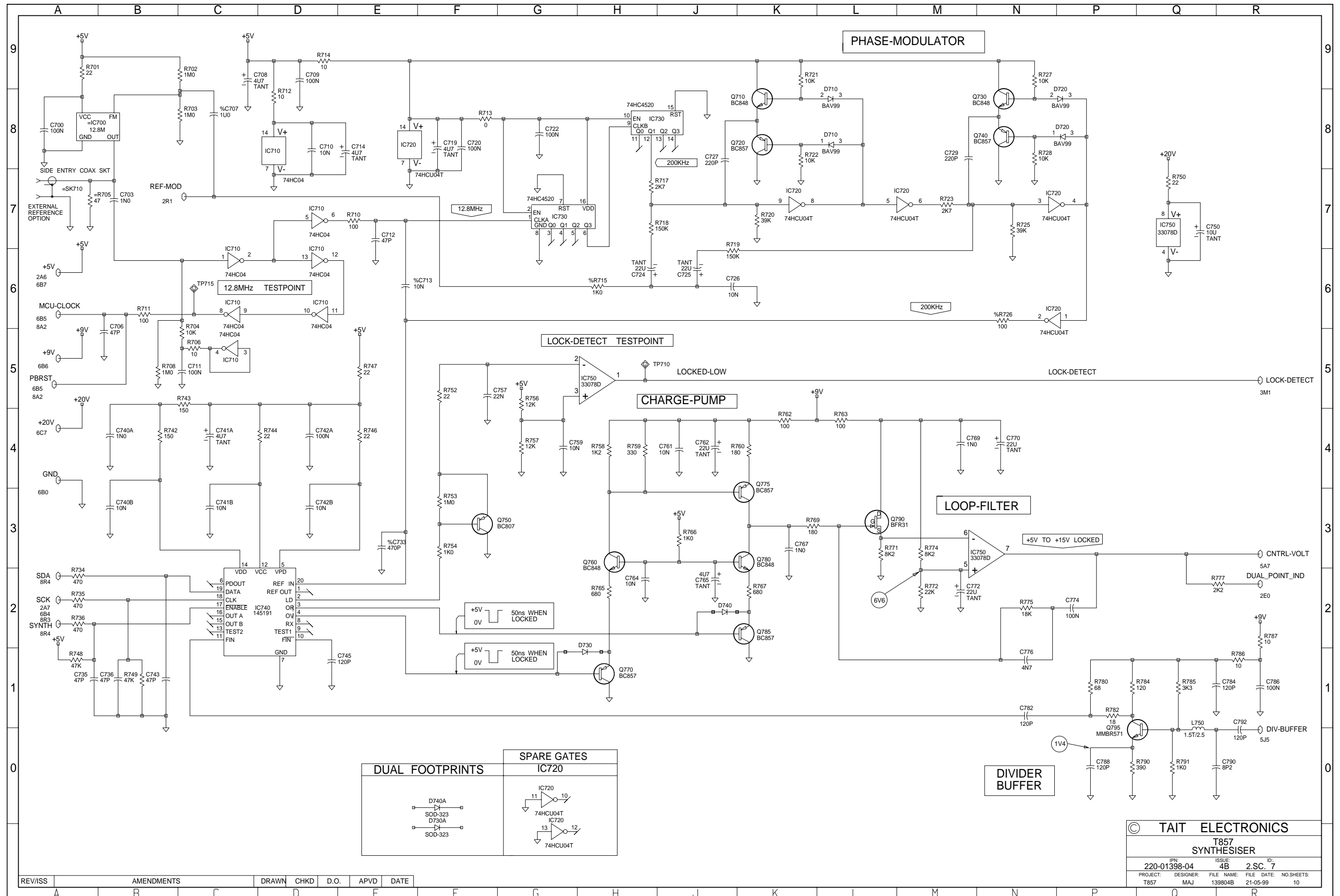
© TAIT ELECTRONICS	
T857	
VCO-SECTION	
IPN: 220-01398-04	ISSUE: 4B
DESIGNER: T857	FILE: 139804B
DATE: 21-05-99	NO. SHEETS: 10

REV/ISS	AMENDMENTS	DRAWN	CHKD	D.O.	APVD	DATE
A	B	C	D	E		



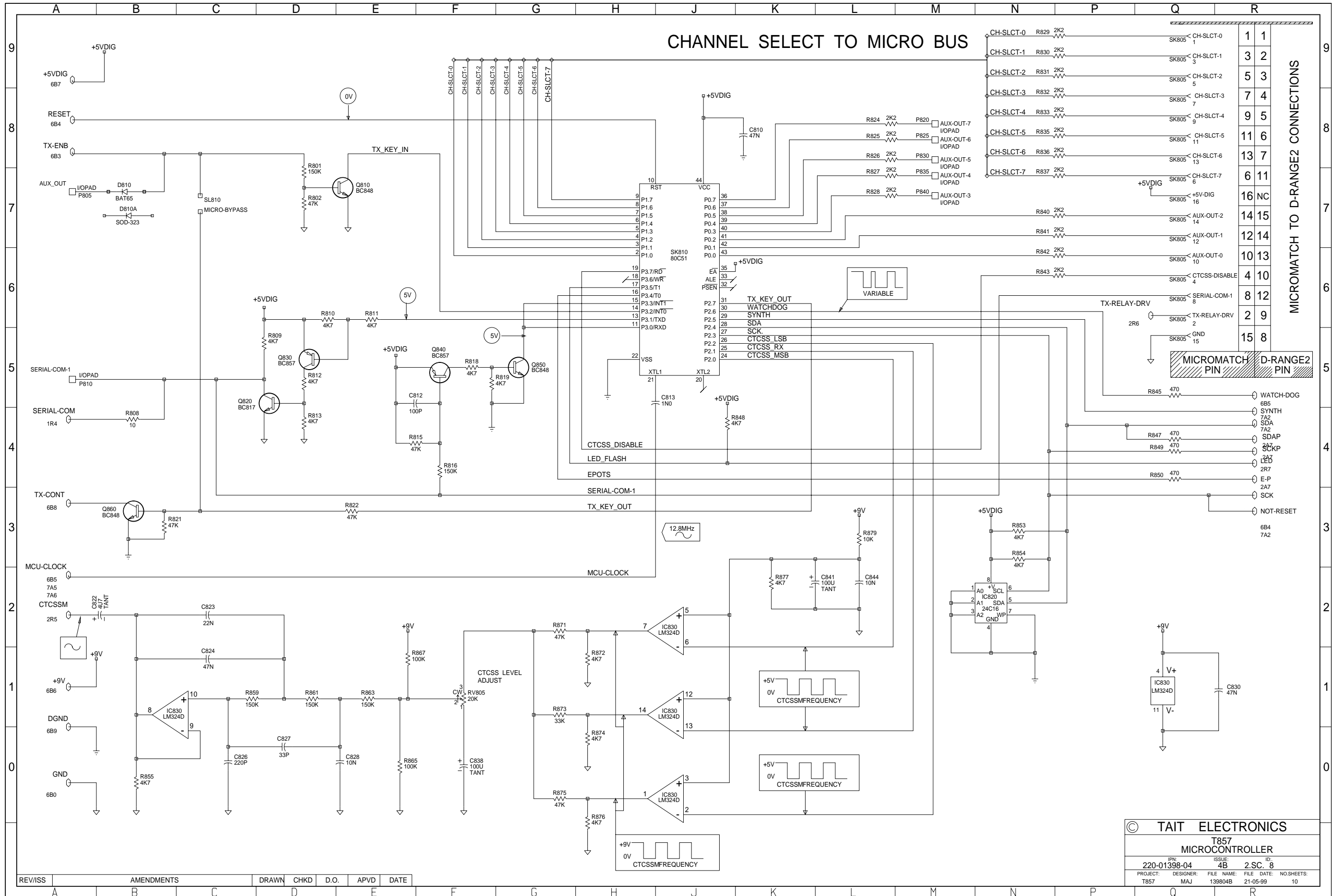
© TAIT ELECTRONICS	
T857 REGULATORS	
IPN: 220-01398-04	ISSUE: 4B
PROJECT: T857	DESIGNER: MAJ
FILE NAME: 139804B	FILE DATE: 21-05-99
NO. SHEETS: 10	

REV/ISS	AMENDMENTS	DRAWN	CHKD	D.O.	APVD	DATE
A						
B						
C						
D						
E						



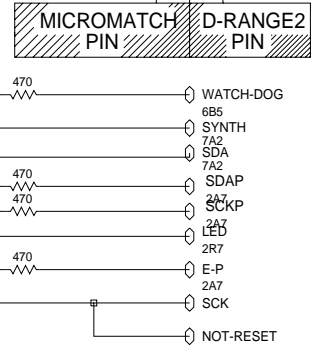
DUAL FOOTPRINTS		SPARE GATES	
D740A	SOD-323	IC720	74HCU04T
D730A	SOD-323	IC720	74HCU04T

© TAIT ELECTRONICS			
T857 SYNTHESISER			
IPN:	220-01398-04	ISSUE:	4B
DESIGNER:	MAJ	FILE:	139804B
DATE:	21-05-99	NO. SHEETS:	10



MICROMATCH TO D-RANGE2 CONNECTIONS

1	1
3	2
5	3
7	4
9	5
11	6
13	7
6	11
16	NC
14	15
12	14
10	13
4	10
8	12
2	9
15	8

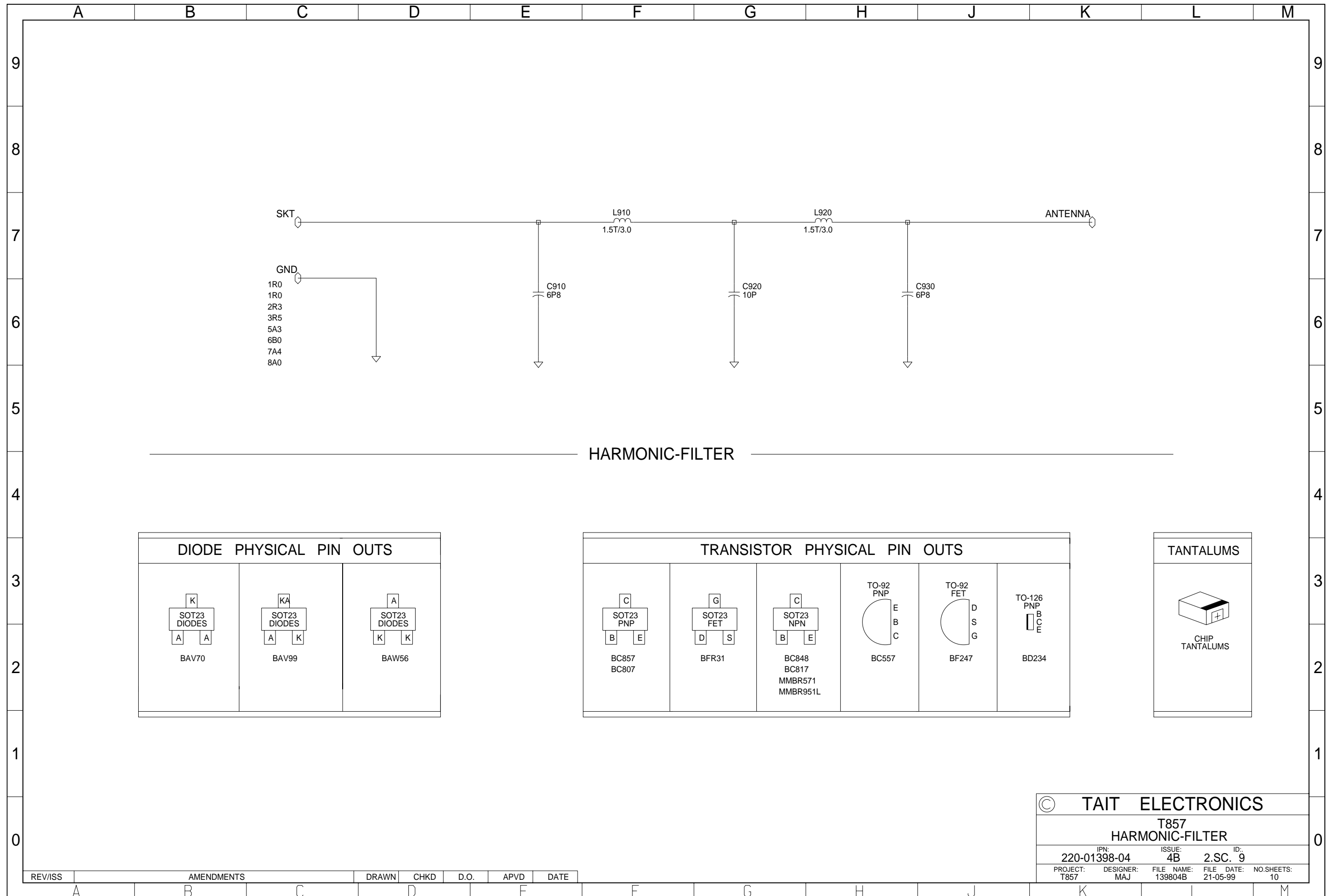


© TAIT ELECTRONICS

T857  
MICROCONTROLLER

IPN: 220-01398-04	ISSUE: 4B	ID: 2.SC. 8
PROJECT: T857	DESIGNER: MAJ	FILE NAME: 139804B
	FILE DATE: 21-05-99	NO. SHEETS: 10

REV/ISS	AMENDMENTS	DRAWN	CHKD	D.O.	APVD	DATE
A						
B						
C						
D						
E						



DIODE PHYSICAL PIN OUTS		
 SOT23 DIODES BAV70	 SOT23 DIODES BAV99	 SOT23 DIODES BAW56

TRANSISTOR PHYSICAL PIN OUTS					
 SOT23 PNP BC857 BC807	 SOT23 FET BFR31	 SOT23 NPN BC848 BC817 MMBR571 MMBR951L	 TO-92 PNP BC557	 TO-92 FET BF247	 TO-126 PNP BD234

TANTALUMS
 CHIP TANTALUMS

© TAIT ELECTRONICS  
 T857  
 HARMONIC-FILTER  
 IPN: 220-01398-04 ISSUE: 4B ID: 2.SC. 9  
 PROJECT: T857 DESIGNER: MAJ FILE NAME: 139804B FILE DATE: 21-05-99 NO. SHEETS: 10

REV/ISS	AMENDMENTS	DRAWN	CHKD	D.O.	APVD	DATE
A						

